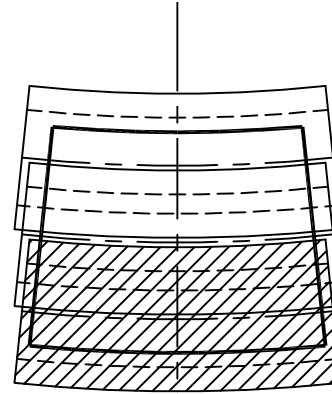


Copyright (c) 2001  
TERRAMETRA RESOURCES  
All Rights Reserved

DATUM: NAD83  
 ZONE: COLORADO SOUTH  
 STATION: PACKERS GAP  
 $\phi$  \_\_\_\_\_  
 $\lambda$  \_\_\_\_\_  
 $R$  \_\_\_\_\_  
 $\gamma(\theta)$  \_\_\_\_\_  
 $N(y)$  425,583.834 m  
 $E(x)$  1,077,723.190 m  
 $k$  \_\_\_\_\_



$R_b$  \_\_\_\_\_  
 $N_b$  \_\_\_\_\_  
 $E_o(C)$  \_\_\_\_\_  
 $\sin(\phi_o)$  \_\_\_\_\_

