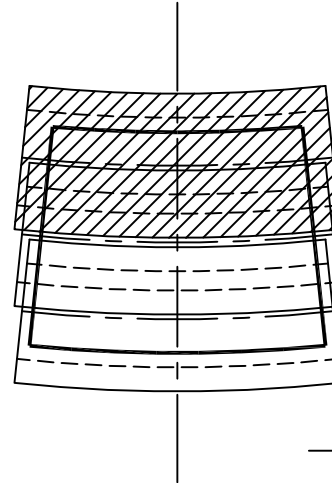


Copyright (c) 2001
TERRAMETRA RESOURCES
All Rights Reserved

DATUM: NAD83
 ZONE: COLORADO NORTH
 STATION: BOULDER
 ϕ _____
 λ _____
 R _____
 $\gamma(\theta)$ _____
 $N(y)$ 374,427.736 m
 $E(x)$ 931,903.012 m
 k _____



R_b _____
 Z_b _____
 $E_o(C)$ _____
 $\sin(\phi_o)$ _____

