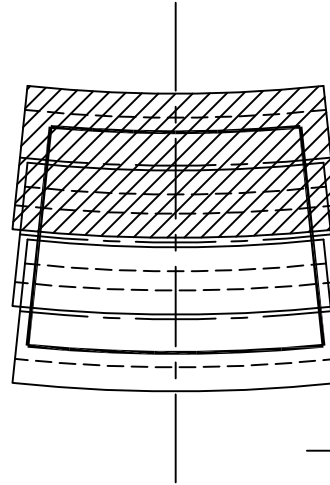


COORDINATE CONVERSIONS
PLANE TO GEODETIC

Copyright (c) 2001
TERRAMETRA RESOURCES
All Rights Reserved

DATUM:	NAD83
ZONE:	COLORADO NORTH
STATION:	ALLEN
ϕ	39°51'40.2663"N
λ	105°03'10.6861"W
R	7,587,444.420 m
$\gamma(\theta)$	+ 0°17'19.8316"
N(y)	363,504.228 m
E(x)	952,651.838 m
k	0.99997982



R_b	7,646,051.6244 m
N_b	304,800.6096 m
$E_o(C)$	914,401.8289 m
$\sin(\phi_o)$	0.646133 456811

