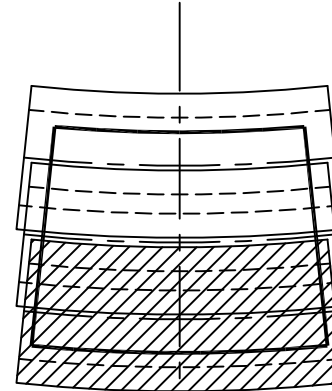


Copyright (c) 2001
TERRAMETRA RESOURCES
All Rights Reserved

DATUM:	NAD83
ZONE:	COLORADO SOUTH
STATION:	STORMY
ϕ	37°46'00.72252"N
λ	103°46'35.31953"W
R	8,229,911.016 m
$\gamma(\theta)$	+ 1°03'25.8148"
N(y)	428,305.869 m
E(x)	1,066,244.212 m
k	0.99994609



R_b	8,352,015.4059 m
N_b	304,800.6096 m
$E_o(C)$	914,401.8289 m
$\sin(\phi_o)$	0.613378 042371

