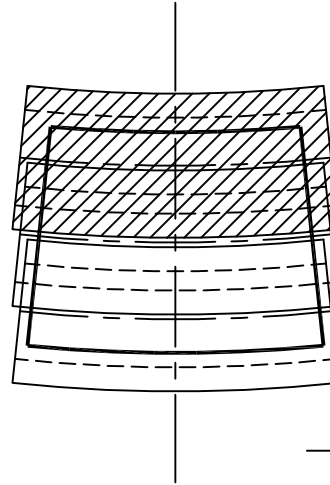


Copyright (c) 2001  
TERRAMETRA RESOURCES  
All Rights Reserved

DATUM:	NAD83
ZONE:	COLORADO NORTH
STATION:	LONGS PEAK
$\phi$	40°15'18.04872"N
$\lambda$	105°36'54.41503"W
R	7,543,716.937 m
$\gamma(\theta)$	- 0°04'27.7674"
N(y)	407,141.654 m
E(x)	904,608.782 m
k	0.99995686



$R_b$	7,646,051.6244 m
$N_b$	304,800.6096 m
$E_o(C)$	914,401.8289 m
$\sin(\phi_o)$	0.646133 456811

