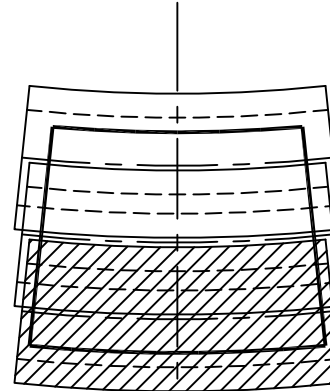


Copyright (c) 2001
TERRAMETRA RESOURCES
All Rights Reserved

DATUM:	NAD83
ZONE:	COLORADO SOUTH
STATION:	PACKERS GAP
ϕ	37°44'25.3172"N
λ	103°38'48.5834"W
R	8,232,852.306 m
$\gamma(\theta)$	+ 1°08'12.1005"
N(y)	425,583.834 m
E(x)	1,077,723.190 m
k	0.99994673



R_b	8,352,015.4059 m
N_b	304,800.6096 m
$E_o(C)$	914,401.8289 m
$\sin(\phi_o)$	0.613378 042371

