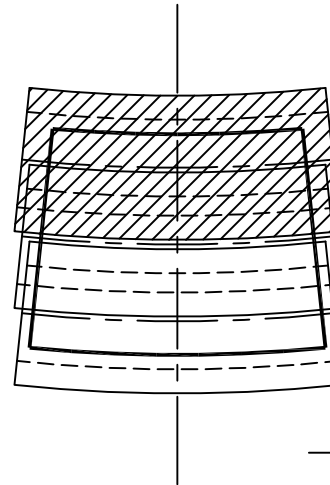


Copyright (c) 2001  
TERRAMETRA RESOURCES  
All Rights Reserved

DATUM:	NAD83
ZONE:	COLORADO NORTH
STATION:	MORRISON
$\phi$	39°40'09.23511"N
$\lambda$	105°13'11.06379"W
R	7,608,756.847 m
$\gamma(\theta)$	+ 0°10'51.9074"
N(y)	342,133.389 m
E(x)	938,449.542 m
k	1.00000799



$R_b$	7,646,051.6244 m
$N_b$	304,800.6096 m
$E_o(C)$	914,401.8289 m
$\sin(\phi_o)$	0.646133 456811

